



# DNH

HEAD OFFICE, NORWAY  
DNH AS

Phone..... + 47 35 98 56 00  
Fax..... + 47 35 98 56 10  
E-mail..... dnh@dnh.no  
Web-site..... www.dnh.no

ENGLAND  
DNH WW Ltd

Phone..... + 44 1908 275 000  
Fax..... + 44 1908 275 100  
E-mail..... dnh@dnh.co.uk

GERMANY  
DNH GmbH

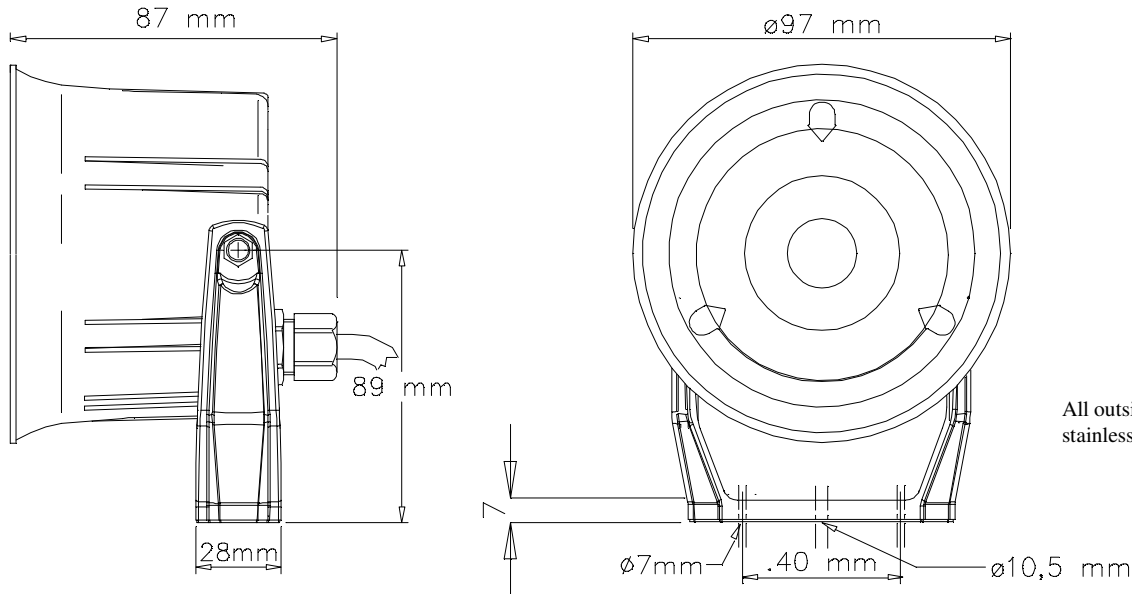
Phone... + 49 040 6569 30-0  
Fax..... + 49 040 6569 30-30  
E-mail..... dnh@dnh.de

USA  
DNH Speakers Inc

Phone..... + 1 484 494 5790  
Fax..... + 1 484 494 5793  
E-mail..... dnh@dnhspeakers.com

## HP-6

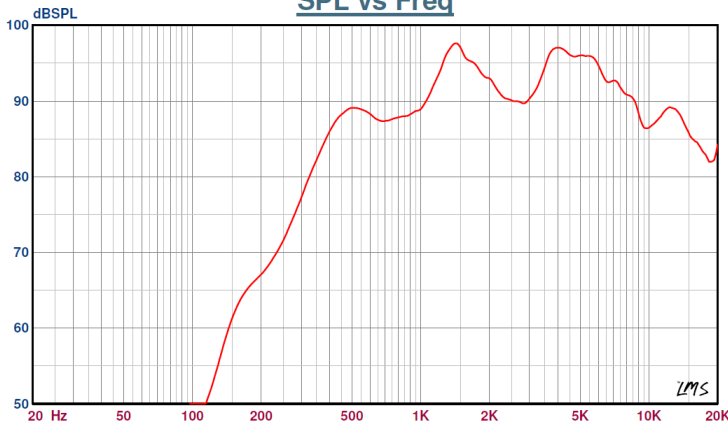
ISO 9001 CERTIFIED



All outside nuts and screws in stainless steel.

Sound pressure levels at different frequencies at 1W/1m  
MP-6

SPL vs Freq



Material / Color..... Polyamide UL94 V0 / RAL 7035  
Mounting..... Insertion  
Termination..... Cable, 0,5m  
Weight..... 0,35 kg  
IP-rating .....67  
Max / min amb temp..... 110 °C / -40 °C  
Rated / max power .....6 W / 15 W  
SPL 1W/1m ..... 100 dB  
SPL rated power ..... 107 dB  
Effective freq range..... 300 – 20000 Hz  
Dispersion (-6dB) ..... 170° / 70°  
Options ..... Impedances, colors, labels

### Installation, Operation and Maintenance Procedures

- Fasten bracket with 1-3 screws, to wall or ceiling.
- To change the position of the loudspeaker, please adjust the bracket (by loosening/tightening the screws) as required.
- HP-6 is delivered with cable and the cable should be terminated in a suitable junction box.
- For optimum performance, always use the correct voltage / power and operate within the frequency limits as stated.
- This loudspeaker is supplied with a 2 year warranty against defective materials and workmanship.



DNH reserves the right to alter specifications without notice

Rev. 15.8.2011