



# DNH<sup>AS</sup>

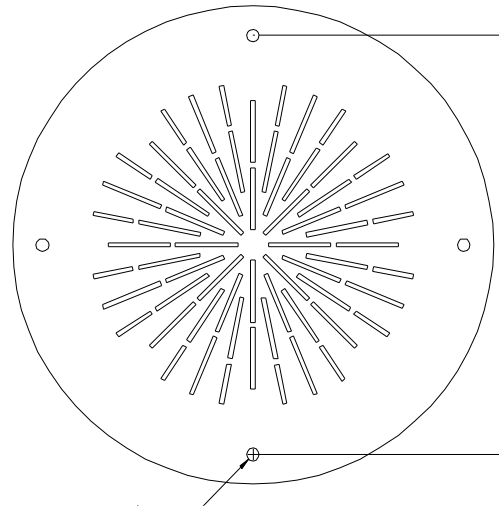
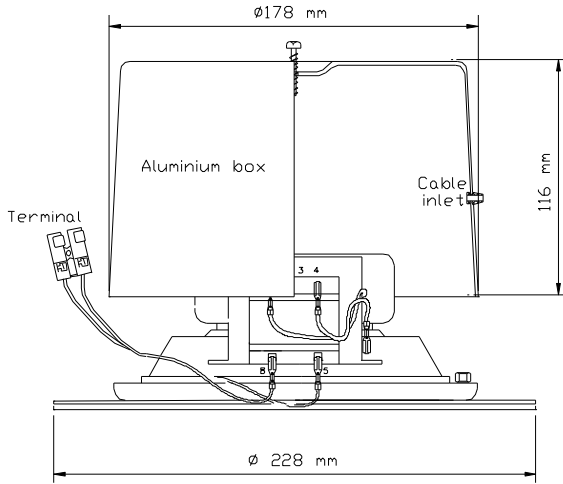
**N-3770 Kragerø  
NORWAY**

Phone:.....(47) 35 98 56 00  
Fax:.....(47) 35 98 56 10  
E-mail:.....dnh@dnh.no  
Web-site:..... **www.dnh.no**

ISO 9001 CERTIFIED

## BF-620F(T)

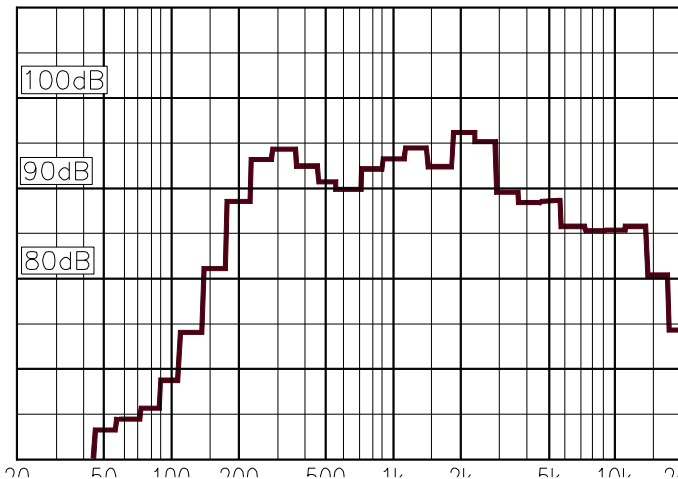
**DNH WW Ltd.** Phone: ..... (44) 1908 275 000  
**England** Fax: ..... (44) 1908 275 100  
E-mail: ..... dnh@dnh.co.uk  
**DNH GmbH** Phone: ..... (49) 040 6569 30-0  
**Germany** Fax: ..... (49) 040 6569 30-30  
E-mail: ..... dnh@dnh.de



8 ohm connection

Rec. ceiling hole:  $\varnothing$  180 mm

1W/1m Pink Noise 1/3 octave bands



Material / Colour ..... Aluminium / RAL9010  
Mounting..... 4 screws  
Termination..... Spring clamps  
Weight..... 1,1 kg  
IP-rating..... 42  
Max. / min. amb. temp ..... 150°C / -30°C  
Standard version..... 8 ohm  
Rated / max. power ..... 6 W / 15 W  
SPL 1W/1m ..... 90 dB  
SPL rated power ..... 97 dB  
Effective freq. range..... 130 – 18000 Hz  
Dispersion (-6dB) 1kHz / 4kHz..... 130° / 60°  
Directivity factor, Q .....

### **Installation, Operation and Maintenance Procedures**

- Lead the cable through cable inlet in to alu-box and connect to terminal.
- Screw box to loudspeaker grill and install loudspeaker by four screws.
- For optimum performance, always use the correct voltage / power and operate within the frequency limits as stated.
- BF-620F(T) is designed to withstands flames for 30 min. and 150°C for 24 hours.
- Do not open loudspeaker when energized.
- This loudspeaker is supplied with a 2 year warranty against defective workmanship.

Most of our products are available in different colours, impedances and power ratings.



DNH reserves the right to alter specifications without notice.

Rev. 06.02.2001