


AK5850BS

AK5850BS Ex TwinCom Helmet Headset w/ear plug connector

Ex-approved Headset with helmet mounting and connector for ear plug



 ICX-AlphaCom

 Exigo

 IP54

- Rugged headset for Ex and Industrial environments
- **Helmet mount**
- Noise-cancelling microphone
- High quality digital background noise reduction
- HD-voice compatible
- High quality audio
- Standard 4-pole Nexus connector for easy connection/replacement
- For use with Ex-approved and industrial plugboxwith PTT
- Low smoke and halogen free cable
- Designed for Turbine Ex explosion-proof and industrial intercoms

DESCRIPTION

The AK5850BS is a high quality industrial Ex-approved headset for use in rugged conditions. It offers an adjustable boom microphone and a short curly cable for flexible connectivity through a 4-pole Nexus plug. This headset is designed for use with the Vingtor Stentofon Turbine Ex and Industrial Intercoms and are HD Voice compatible when used with these stations.

Used with the TAX-2B/TA-22B Cable and Plugbox with PTT, it offers an exceptional range of over 10 meters. The pluggable nature of the headset allows for easy maintenance/replacement as well as allowing operators to use their personal headset as a hearing protection aid, and disconnecting once the conversation is over.

SPECIFICATIONS

MECHANICAL

Weight	438 g
--------	-------

ENVIRONMENTAL

Operational Temperature	-40°C to +60°C
-------------------------	----------------

Ingress Protection (IP)	IP-54 (when worn)
-------------------------	-------------------

ELECTRICAL

Impedance	230 ohm
-----------	---------

Sensitivity (mic)	4 mV / 220 ohm
-------------------	----------------

ACOUSTICAL

Frequency Response	90-7000 Hz
--------------------	------------

Noise Reduction	-12dB @ 1kHz
-----------------	--------------

AK5850BS Helmet attached hearing protector TwinCom with custom moulded earplug

SOUND ATTENUATION

Above 1kHz:	34 to 51 dB
-------------	-------------

500-1000 Hz	31,9 to 38,6 dB
-------------	-----------------

125-500 Hz	29,5 to 39,5 dB
------------	-----------------

H84	33 dB
-----	-------

M84	32 dB
-----	-------

L84	29dB
-----	------

SNR84	34 dB
-------	-------

CERTIFICATIONS

CENELEC safety standards	EN 60079-0: 2018 & EN 60079-11: 2012
--------------------------	--------------------------------------

IEC safety standards	IEC 60079-0: 2018, IEC 60079-11: 2012
----------------------	---------------------------------------

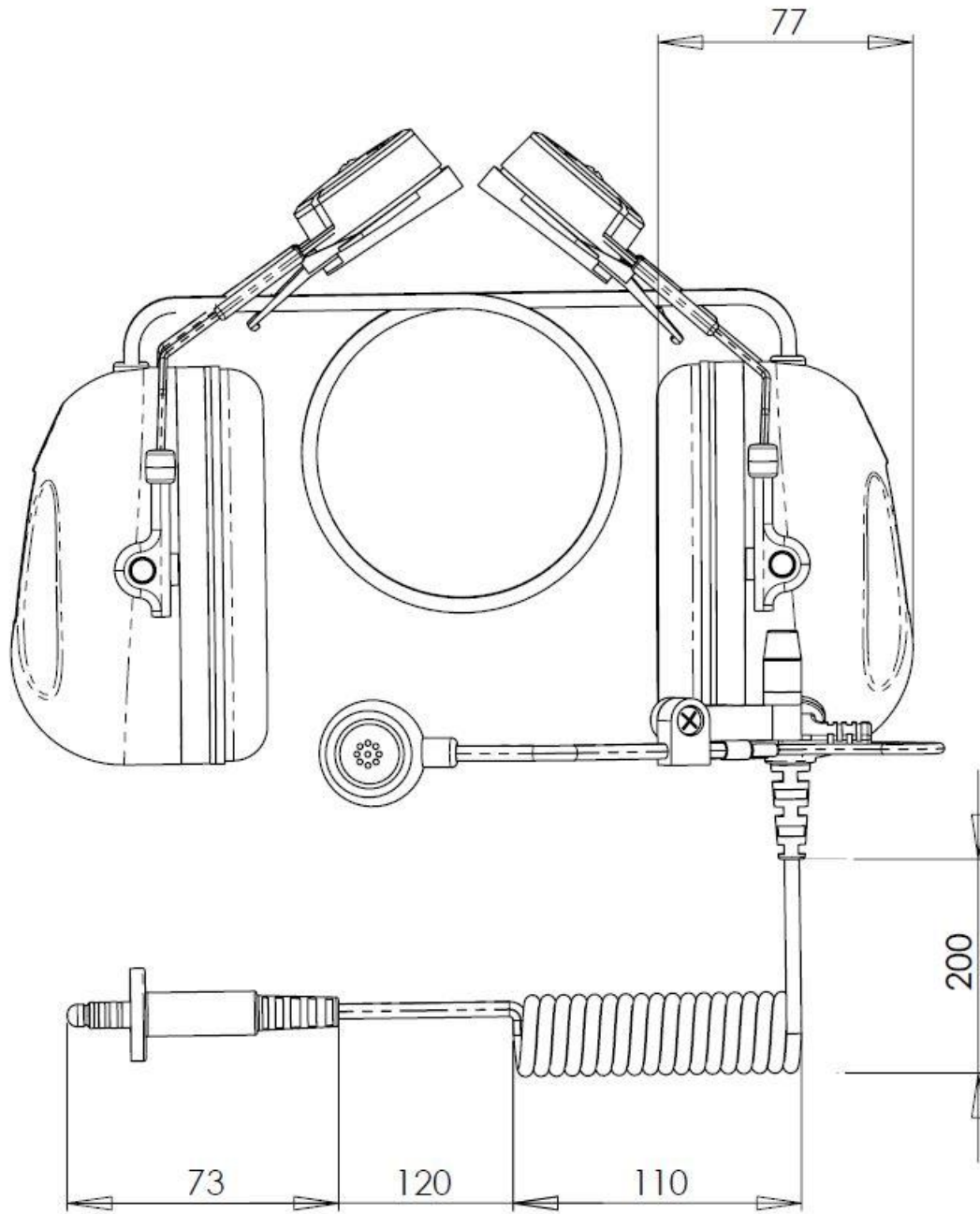
Marking	Ex ib IIC T4 Gb, Ta : -40°C to +60°C
---------	--------------------------------------

ATEX certificate	Nemko 03ATEX1351 Issue 9
------------------	--------------------------

IECEX certificate	IECEX PRE 15.0063 Issue 2
-------------------	---------------------------

PPE	(EU) 2016/425 (EN 352-1:2020, EN 352-2:2020, EN 352-3:2020, EN 352-6:2020 and EN 352-9:2020)
-----	--

TECHNICAL DIMENSIONS



ACCESSORIES



TAX-2B

Item number: 1008150025



TA-22B

Item number: 1008140225

USED WITH



1023221516

EAPFX-6

Exigo Industrial Ex Access Panel, 6 Buttons



1023221511

EAPFX-1

Exigo Industrial Ex Access Panel

1008123010

TFIX-1

Ex IP Intercom Station



1008123020

TFIX-2

Ex IP Intercom Station



1008123030

TFIX-3

Ex IP Intercom Station

DISCONTINUED



1008123040

TFIX-4

Ex IP Telephone

DISCONTINUED



1008122010

TFIE-1

IP and SIP Intercom



1008122020

TFIE-2

IP and SIP Intercom



1023201201

EAPII-1

Exigo Industrial Access Panel, 1 Button



1023201206

EAPII-6

Exigo Industrial Access Panel, 6 Buttons



1008122060

TFIE-6

IP and SIP Intercom

