

1008140180

## TA-18

Turbine Compact Flush-Mount Back Box



- Back Box for flush mounting of all Turbine Compact Stations
- Makes the front faceplate of the station flush with the wall surface

### DESCRIPTION

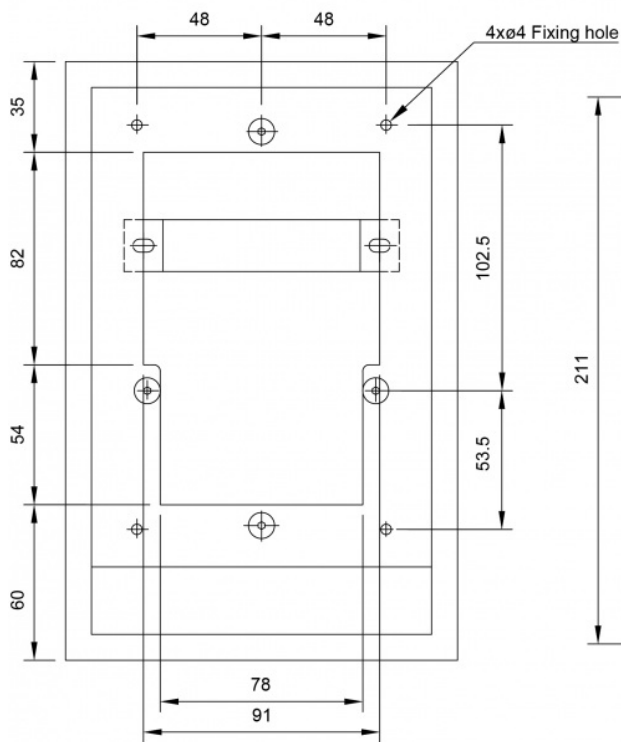
Flush mount backbox for Turbine Compact stations

### SPECIFICATIONS

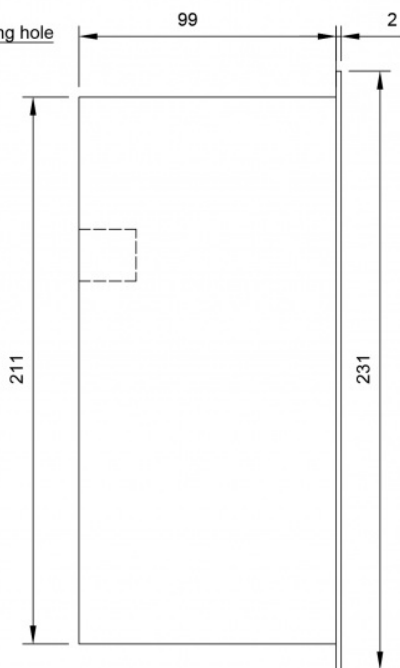
Dimensions (WxHxD):	151 x 231 x 101 mm
Weight:	1.5 kg
Material:	Mild Steel Black Paint
IP Rating	IP-66

# TECHNICAL DIMENSIONS

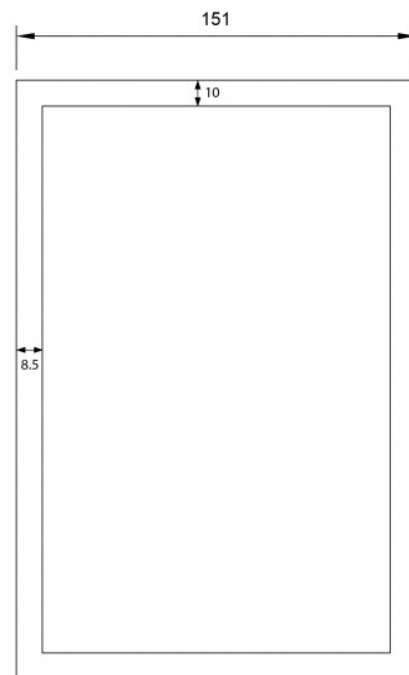
FRONT VIEW



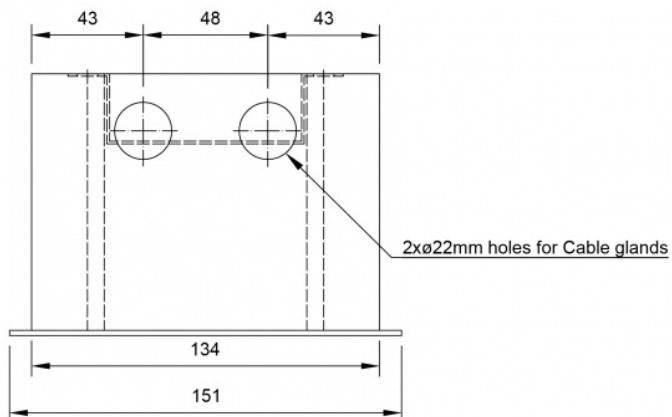
SIDE VIEW



REAR VIEW



BOTTOM VIEW



All dimensions in mm

## USED WITH

1008111010

TCIS-1

IP and SIP Intercom



1008111020

**TCIS-2**  
IP and SIP Intercom



1008111030

**TCIS-3**  
IP and SIP Intercom



1008111040

**TCIS-4**  
IP and SIP Intercom



1008111050

**TCIS-5**  
IP and SIP Intercom



1008111060

**TCIS-6**  
IP and SIP Intercom



1008115020

**TCIV-2**

Vandal Resistant VoIP Video Intercom

This product has been replaced by  
[1008315020 TCIV-2+](#)



1008115030

**TCIV-3**

IP and SIP Video Intercom

This product has been replaced by  
[1008315030 TCIV-3+](#)

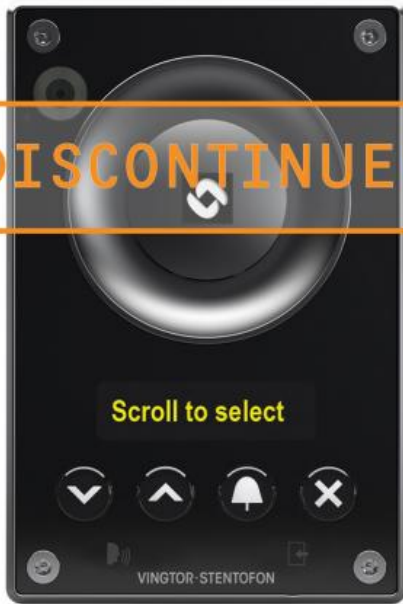


1008115060

**TCIV-6**

IP and SIP Video Intercom

**DISCONTINUED**



1008113020  
**TCIA-2**  
Analog over IP Intercom



1008114010  
**TCAS-1**  
Analog Intercom



1008114020  
**TCAS-2**  
Analog Intercom

1008114030  
**TCAS-3**

