

1008140230

## TA-23

Industrial Handset for Turbine with PTT

 ICX-AlphaCom

 Exigo

 IP66



### DESCRIPTION

#### FEATURES

- Rugged handset for Industrial application
- PTT-key for simplex operation in extremely noisy environments
- Noise-cancelling microphone
- High quality digital background noise reduction\*
- HD-voice compatible\*
- IP Rating: IP66
- Designed for Turbine Industrial Intercoms

\*when used with Turbine Industrial intercoms

#### DESCRIPTION

The TA-23 Industrial Handset for Turbine intercoms is a rugged, high quality handset designed for industrial and military use. The slim profile offers ease-of-use in hard-hat areas as it slips under helmets and/or hearing protection. The TA-23 offers a side-mounted PTT for simplex operation in extremely noisy environments. Used with Turbine industrial intercom stations, the active noise-reduction features offer exceptional audio quality and intelligibility. A hanger is included with the delivery.

# SPECIFICATIONS

## MECHANICAL

Dimensions (WxDxH)	200 x 70 x 50 mm
Weight	310 g
Cable Length	1.0 m (contracted) / 3.5 m (extended)

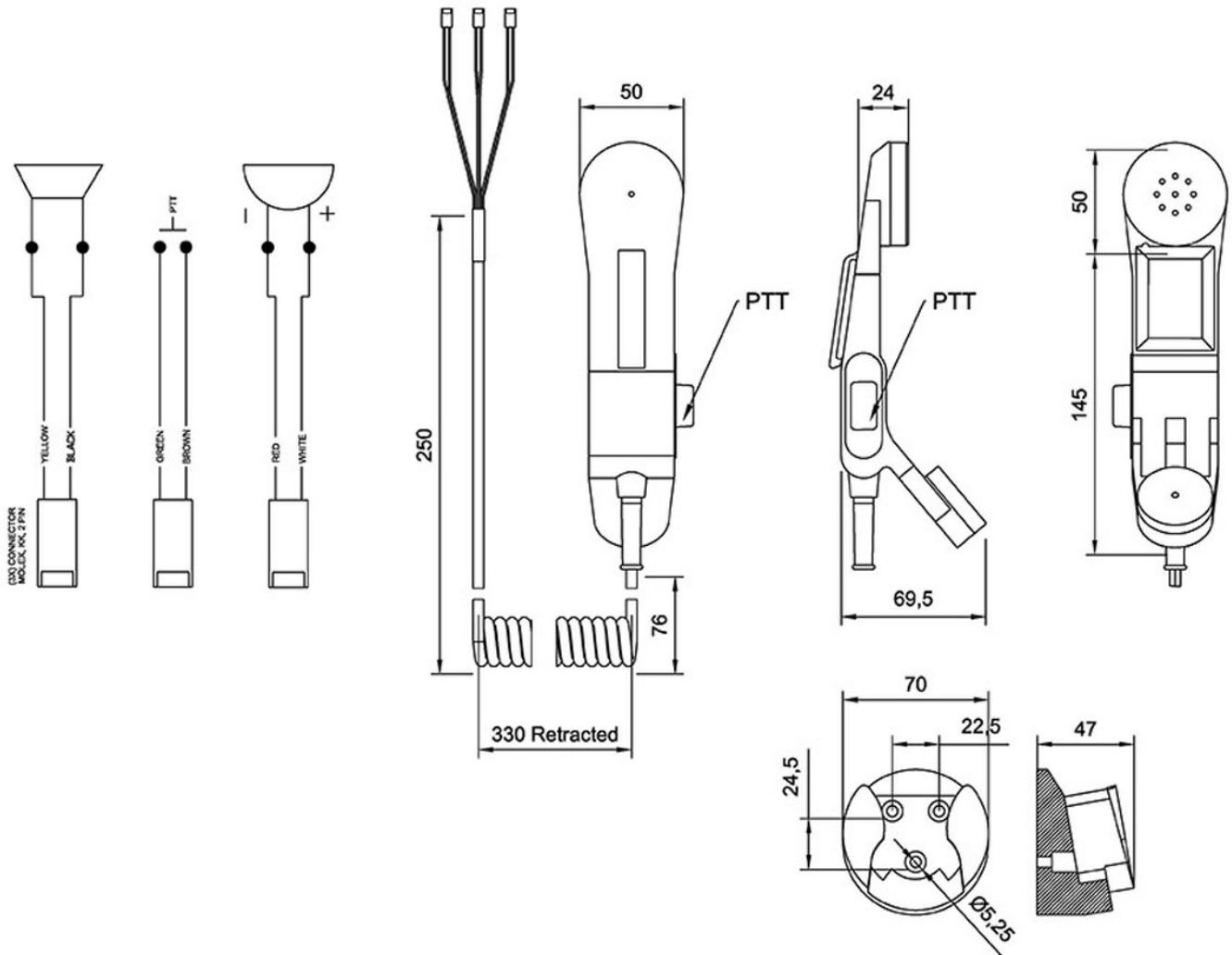
## ENVIRONMENTAL

Operating Temperature	-40°C to +65°C
Ingress Protection (IP)	IP66

## ACOUSTICAL

Frequency Response	200 - 7000 Hz
--------------------	---------------

# TECHNICAL DIMENSIONS



## USED WITH

1008122010

TFIE-1

IP and SIP Intercom



1008122020

**TFIE-2**

IP and SIP Intercom



1023201201

**EAPII-1**

Exigo Industrial Access Panel, 1 Button



1023201206

**EAPII-6**

Exigo Industrial Access Panel, 6 Buttons



1008122060

**TFIE-6**

IP and SIP Intercom

