

1023301310

## ELSII-10H

Network Horn Speaker, 10W, Ethernet



- Vingtor-Stentofon Audio Presence - crystal clear audio
- 10W Class D, built-in amplifier
- Dust and water tight – IP 67
- >116 dB SPL
- Ideal for Micro Zone PA and systems that require a limited number of speakers
- Each speaker is individually addressable and monitored
- Ideal for speakers installed in remote locations, e.g. roads and railways
- Remote software upgrade and configuration
- Relay output for remote control, e.g. doors, signal lamps, gates
- Powered from the IP network cable using Power over Ethernet (PoE)
- Ideal for Building Security, Infrastructure and Industrial projects

### DESCRIPTION

This Vingtor-Stentofon IP speaker features a 10W Class D amplifier, utilizing all the power that PoE is capable of. This means that the speaker is capable of delivering more than 116dB, depending on the signal input. With IP, the system is able to monitor and address each speaker individually. By moving the amplifier from a central unit out to the speaker itself, the need for a central amplifier unit with conventional speaker loops is eliminated. This makes the system highly scalable, and adding another speaker is easy to do.

Even though conventional speaker loops are not used, the speakers can still be divided into groups. These zones can now extend over networks or span the Internet. To provide maximum availability, the speaker comes with advanced supervision functions. The speaker line test will detect whether there are any faults in the network or speaker electronics. The status of the speaker is reported to the central unit as well as to 3rd-party management systems using SNMP or Syslog.

The speaker has a built-in web interface for status information, control, and upgrade. It is easy to install and maintain. In addition, there are possibilities where broadcasts can be logged in detailed reports.

SIP PBX – This VoIP intercom module can be used with basically any SIP server. Various server types have been tested explicitly by Vingtor-Stentofon and a proper functionality can be confirmed. Check with your Vingtor-Stentofon contact for the latest information on compatibility. ICX-AlphaCom Audio servers, IC-EDGE & SIP – Intercom for everyone. See also: [additional documentation on wiki.zenitel.com](https://wiki.zenitel.com)

# SPECIFICATIONS

## GENERAL

|  |                                       |
|--|---------------------------------------|
| Rated Impedance (speaker driver)           | 8 Ohm                                 |
| Rated power (speaker driver)               | 15W                                   |
| Max. power (speaker driver)                | 20W                                   |
| Max. sound pressure level at 1 meter       | 116 dB                                |
| Effective frequency range (speaker driver) | 330-8000 Hz                           |
| Dispersion (-6dB) 1kHz / 4kHz              | 140° / 40°                            |
| Directivity factor, Q                      | 1,8                                   |
| Codecs                                     | G.711, G.722                          |
| Frequency range, G.722 Codec               | 200 Hz – 7000 Hz                      |
| Internal speaker amplifier                 | 10 W class D                          |
| Mounting                                   | Bracket (included)                    |
| Weight                                     | 1.8 kg / 4 lbs                        |
| Material / Color                           | ASA (plastic) / RAL 7035 (light grey) |
| Electronics cover material                 | ASA (plastic)                         |
| Gasket material                            | Silicone rubber                       |
| IP Grade                                   | IP-67, tested according to EN 60529   |

## ENVIRONMENT AND COMPLIANCES

|                             |                                 |
|-----------------------------|---------------------------------|
| Operating temperature range | -40° to 70° C / -40° to 158 ° F |
| Storage temperature range   | -40° to 70° C / -40° to 158 ° F |
| Relative humidity           | < 95% not condensing            |
| EMC                         | CE and FCC Part 15              |

## HARDWARE

|  |   |
|--|---|
| Ethernet connector                     | 1 x RJ 45   |
| All other connectors                   | Tool less, spring loaded, vibration proof terminals |
| General inputs and outputs             | 6 (configurable)                                    |
| Outputs                                | 12mA as LED drivers                                 |
| Change-over relay (NO+NC+COM)          | Max: 250VAC/220VDC, 2A, 60W                         |
| Power options                          | PoE and or external power supply                    |
| PoE (power over Ethernet)              | IEEE 802.3af standard, Class 0 (0.44W to 12.95 W)   |
| External power supply                  | 24 VDC (16 – 48 V)                                  |
| Power consumption                      | Idle 1.8W, max 12W (depending on volume)            |
| Audio line out / induction loop signal | 600 Ohm   |

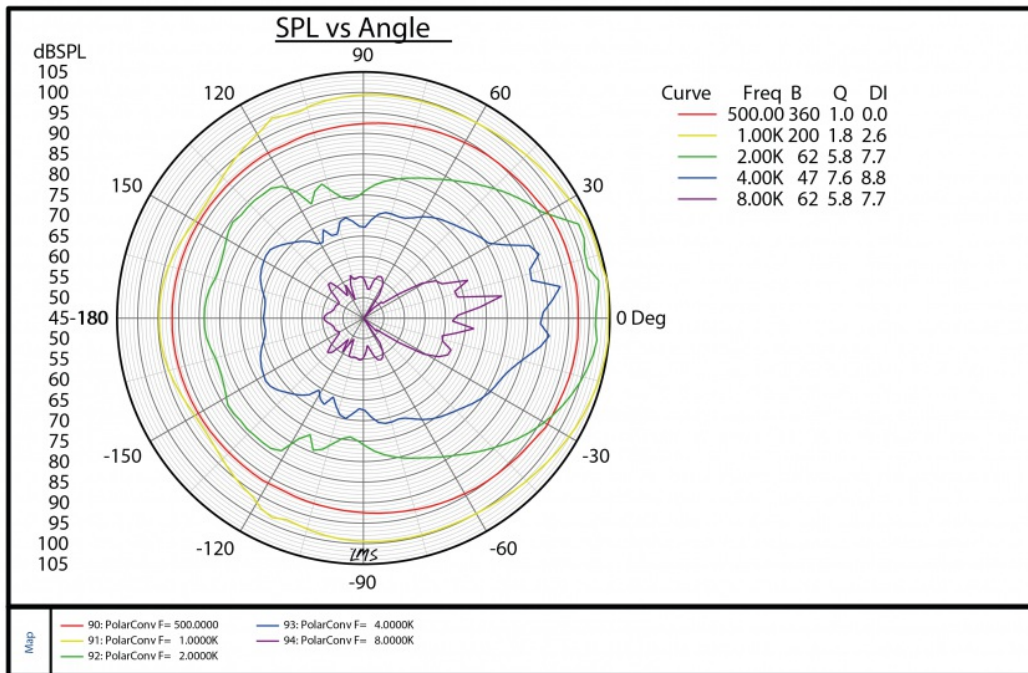
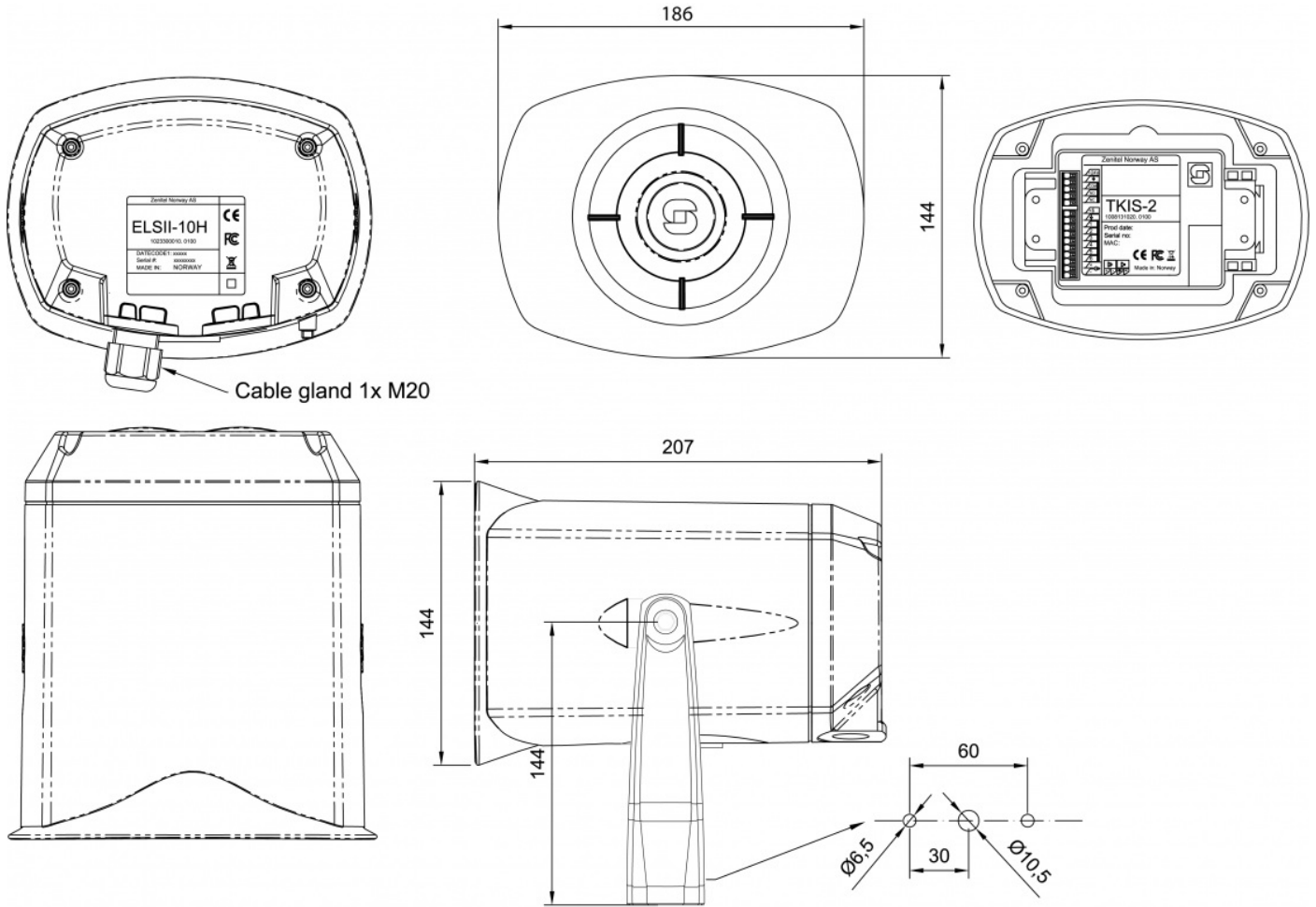
## NETWORKING AND PROTOCOLS

|                                |   |
|--------------------------------|---|
| Protocols                      | IPv4 (with DiffServ), SIP, TCP, UDP, Unicast, Multicast, HTTPS, TFTP, RTP, DHCP, SNMPv2c, STENTOFON CCoIP®, NTP                 |
| LAN protocols                  | Power over Ethernet (IEEE 802.3 a-f) Network Access Control (IEEE 802.1x)   |
| Management and operation       | HTTP/HTTPS (Web configuration) DHCP and static IP + STENTOFON Pulse™. Remote automatic software upgrade. Centralized monitoring |
| Advanced supervision functions | E.g. network test, tone test, status reports  |
| SIP support                    | RFC 3261 (SIP base standard), RFC 3515 (SIP refer), RFC 2976 (SIP info)   |
| DTMF support                   | RFC 2833, 2976 (SIP info)   |

## OTHER SPECIFICATIONS

|                        |                                     |
|------------------------|-------------------------------------|
| IP address information | Speaks IP address after system boot |
| Country of manufacture | Norway                              |
| Dimensions (HxWxD)     | 144 x 186 x 207 mm                  |
| Weight                 | 1.8 kg / 4 lbs                      |
| Encapsulation material | ASA plastic                         |
| DIN-rail clips         | Wago 209 (included)                 |

# TECHNICAL DIMENSIONS



## ACCESSORIES



### EMCG-1

Item number: 1023303010