

N-Tron® Series NT5008-GX2

Gigabit Managed Ethernet Switch

THE NT5008-GX2 GIGABIT INDUSTRIAL SWITCH SETS A NEW STANDARD FOR PERFORMANCE, RELIABILITY, AND EASE OF USE. THE SWITCH FEATURES A MODERN, GRAPHICAL USER INTERFACE WITH A QUICK START WIZARD TO GUIDE USERS THROUGH SWITCH CONFIGURATION. A LOGICAL VIEW OF THE SWITCH SHOWS ACTIVE PORTS, TEMPERATURE, ALARM AND LED STATUS, ALONG WITH PORT TRAFFIC AND EVENT GAUGES IN A SINGLE EASY TO READ DASHBOARD. FEATURES INCLUDE:



- ▲ Six 10/100/1000 RJ45 ports
- ▲ Two 1000Base fiber ports with SC connectors
- ▲ Redundant 10-49 VDC power inputs
- ▲ High shock and vibration tolerance
- ▲ N-Ring™ auto-member and RSTP/MSTP network redundancy
- ▲ Password encryption, IEEE 802.1X, RADIUS, MAC filtering, syslog
- ▲ Advanced management and diagnostics features



Ordering Guide

MAIN UNIT

PART NUMBER	DESCRIPTION
NT-5008-GX2-SC00	8-Port Gigabit Managed Industrial Ethernet Switch (6 10/100/1000BaseT RJ45 Ports, 2 1000BaseSX, Multimode, 550 m, SC Style Connector)
NT-5008-GX2-SC10	8-Port Gigabit Managed Industrial Ethernet Switch (6 10/100/1000BaseT RJ45 Ports, 2 1000BaseLX, Singlemode, 10 km, SC Style Connector)
NT-5008-GX2-SC40	8-Port Gigabit Managed Industrial Ethernet Switch (6 10/100/1000BaseT RJ45 Ports, 2 1000BaseLX, Singlemode, 40 km, SC Style Connector)
NT-5008-GX2-SC80	8-Port Gigabit Managed Industrial Ethernet Switch (6 10/100/1000BaseT RJ45 Ports, 2 1000BaseLX, Singlemode, 80 km, SC Style Connector)

Model number may be followed by -CC indicating conformal coating.

ACCESSORIES

PART NUMBER	DESCRIPTION
NT-CPMA-03-00000	NT5000 Panel Mount Kit, Type A (Wide)
NTPS-24-1-3	DIN Rail Power Supply, 1.3 Amp @ 24 VDC

▲ NT5008-GX2 Specifications

▲ Specifications

HARDWARE

Compact, space saving, hardened industrial design
Wide operating temperature
High shock and vibration tolerance
Shock: IEC 68-2-27: 200 g @ 10 ms Triaxial; non-operational; panel mounted
Vibration: IEC 68-2-6: 15 g @ 5-200 Hz Triaxial; operational; panel mounted
Reverse polarity protection
ESD and surge protection
Fast boot (traffic passes <20 seconds)
Configurable alarm contact
Configurable bi-color fault status LED
LED port status indicators
Jumbo frame support
Redundant power inputs (10-49 VDC)
Hardened industrial design
IEEE 802.3 compliance
Full wire speed communication
MDIX auto-sensing cable
Auto-sensing speed and flow control
Up to 16.0 Gb/s maximum throughput
Store-and-forward technology
Number of MAC addresses: Up to 4k
Latency (typical): < 1.8 µs
MTBF: 1.2M Hours

MANAGEMENT

Modern, intuitive Web Interface
Configuration wizard
Graphical dashboard and logical view of the switch
Command Line Interface
Port control
IGMP v1/v2/v3 auto-configuration
SNMP v1/v2/v3
NTP
802.1Q tag VLAN and port VLAN
IEEE 802.1p QoS and port QoS
DHCP client
Text-based configuration file
File transfer: HTTP/HTTPS, TFTP, SNMP

SECURITY

SSH, SSL, HTTPS
MAC Filtering
IEEE 802.1X with RADIUS remote server authentication
Port/User lockout after failed authentication attempts
SNMPv3
Password encryption

DIAGNOSTIC

Port mirroring
Event log/Syslog
LLDP
Advanced cable diagnostics

NETWORK REDUNDANCY

RSTP/MSTP
Port trunking/LACP
N-Ring™ auto-member

MIBs

RFC 2674 VLAN MIB
RFC 2819 RMON (Group 1, 2, 3 & 9)
RFC 1213 MIB II
RFC 1215 TRAPS MIB
RFC 4188 Bridge MIB
RFC 4292 IP Forwarding Table MIB
RFC 4293 Management Information Base for the Internet Protocol (IP)
RFC 5519 Multicast Group Membership Discovery MIB
RFC 2863 Interface Group MIB using SMI v2
RFC 4133 Entity MIB version 3
RFC 3411 SNMP Management Frameworks
RFC 3414 User-based Security Model for SNMPv3
RFC 3415 View-based access Control Model for SNMP
IEEE 802.1AB LLDP-MIB
IEEE 802.1 MSTP MIB

SOFTWARE TOOL TO MANAGE/SCHEDULE FIRMWARE UPDATES

N-View™ 2

CERTIFICATION & COMPLIANCE

Product Safety: UL 61010 and C22.2 No. 61010 OrdLoc, UL 121201 and CSA C22.2 No. 213 Class I, Division 2 HazLoc, ATEX, IECEx and UKEx II 3 G Ex ec nC IIC T4 Gc, UL 20 ATEX 2645X, UL 22.0038X IECEx and UL22UKEX2346X
EMI/EMC: CFR 47, Part 15, Subpart B, Canada ICES-003, ANSI C63.4, EN 61000-6-2 and 4, IEC 61000-4-2, 3, 4, 5, 6 and 8
Shock & Vibration (panel mounted) - IEC 68-2-27: 200 g @ 10 ms Triaxial; non-operational, IEC 68-2-6: 15 g @ 5-200 Hz Triaxial; operational
Railway/Rolling Stock - EN 50155, EN 50121 and EN 61373
Marine: ABS Type Approval for Shipboard Applications
DNV (pending)
Designed to Comply With - IEEE 1613 for Electric Utility Substations and NEMA TS1/TS2 for Traffic Control
Other - RoHS compliant

WARRANTY

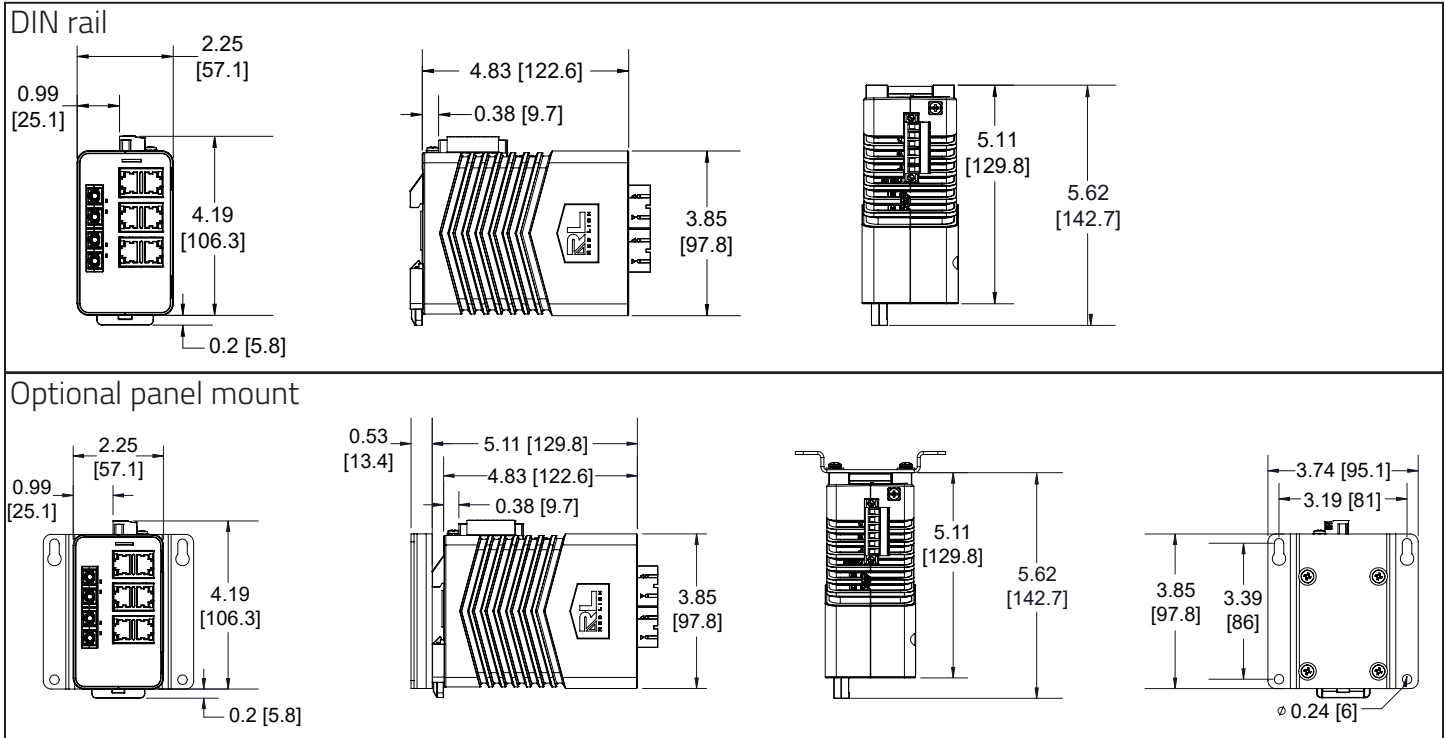
3 years on design and manufacturing defects.

Specifications are subject to change.

Visit www.redlion.net for more information.

NT5008-GX2 Dimensions and Specifications

Dimensions In inches [mm]



NT5008-GX2 SPECIFICATIONS	
Weight	1.38 lbs. (0.62 kg)
Input Voltage Range	10-49 VDC
Steady Input Range	0.26 A @ 24 VDC
BTU/hr	21.29
Operating Temperature Range	-40 to 85 °C
Storage Temperature Range	-40 to 85 °C
Humidity (non-condensing)	10 to 95% RH
Operating Altitude	0 to 10,000 ft.

NETWORK MEDIA SPECIFICATIONS	
10BaseT	≥Cat3 Cable
100BaseTX	≥Cat5 Cable
1000BaseT	≥Cat5e Cable
1000BaseFX Multimode	50-62.5/125 μm
1000BaseFX Singlemode	7-10/125 μm

CONNECTORS	
10/100/1000BaseT	Six (6) RJ45 copper ports
1000BaseFX	Two (2) SC duplex fiber ports

RECOMMENDED MINIMUM WIRING CLEARANCE	
Front	4" (101.6 mm)
Top	4" (101.6 mm)

▲ NT5008-GX2 Transceiver Characteristics

Gigabit Fiber Transceiver Characteristics

Fiber Mode	MM	SM	SM	SM
Fiber Length*	550m @ 50/125 μ m 300m @ 62.5/125 μ m	10 km	40 km	80 km
TX Power Min.	-9.5 dBm	-9.5 dBm	-5 dBm	0 dBm
RX Sensitivity Max.	-17 dBm	-20 dBm	-23 dBm	-24 dBm
Wavelength	850 nm	1310 nm	1310 nm	1550 nm
Laser Type	VCSEL	FP	DFB	DFB

* Fiber Length distances represent typical performance. Link budgets should be evaluated based on specific application conditions.



www.ringuk.com
sales@ringuk.com

For over 50 years, Red Lion has strived to be THE Industrial Data Company™. The company empowers industrial organizations around the world to unlock the value of data by developing and manufacturing innovative solutions to access, connect and visualize their information. Red Lion products make it easy for companies to gain real-time data visibility that drives productivity. Red Lion is part of Spectris plc, the experts in providing insight through precision measurement. For more information, please visit www.redlion.net.

©2023 Red Lion Controls, Inc. All rights reserved. Red Lion, the Red Lion logo, N-Tron, N-View, N-Ring, and THE Industrial Data Company are trademarks of Red Lion Controls, Inc. All other company and product names are trademarks of their respective owners.