

N-Tron® Series NT116



Unmanaged Ethernet Switch

The compact N-Tron® NT116 unmanaged Industrial Ethernet switch is ideal for industrial applications that demand dependable performance under harsh conditions. The compact 16-port device offers exceptional reliability and performance for a range of mission-critical applications including data acquisition, Ethernet I/O, and process control. Delivered in a rugged industrial metal enclosure, the NT116 provides 16 high performance 10/100BaseTX copper ports with full wire speed communications—up to 3.2 Gb/s throughput—for robust network support. The unit boasts exceptional MTBF and extended tolerances to shock, vibration, temperature fluctuations and noise—common elements in factory floor control networks, utilities, wastewater treatment, wind turbines, rail car, intelligent traffic control and transportation applications.

Features include:



- Sixteen 10/100BaseTX RJ45 ports
- Redundant 10–49 VDC power inputs
- High shock and vibration tolerance
- Slim, space-saving design
- -40°C to 85°C operating temperature
- IEEE 802.3 compliance
- ESD and surge protection diodes on all ports
- Store-and-forward technology
- Supports full/half duplex operation
- Full wire speed communications
- Up to 3.2 Gb/s maximum throughput



Ordering Guide

Main Unit

Part Number	Description
-------------	-------------

NT-116-0000-0000 16-Port 10/100 Unmanaged Industrial Ethernet Switch (16 10/100BaseTX RJ45 Ports)

Model number may be followed by -CC indicating conformal coating.

Accessories

Part Number	Description
-------------	-------------

NT-CPMA-03-00000 NT5000 Panel Mount Kit, Type A (Wide)

NTPS-24-1-3 DIN Rail Power Supply, 1.3 Amp @ 24 VDC

NT116 Specifications

Specifications

Hardware

Compact, space saving, hardened industrial design
Wide operating temperature
High shock and vibration tolerance
Shock: IEC 68-2-27: 200 g @ 10 ms Triaxial; non-operational; panel mounted
Vibration: IEC 68-2-6: 15 g @ 5-200 Hz Triaxial; operational; panel mounted
Reverse polarity protection
ESD and surge protection
LED port status indicators
Jumbo frame support
Redundant power inputs (10-49 VDC)
Hardened industrial design
IEEE 802.3 compliance
Full wire speed communication
MDIX auto-sensing cable
Auto-sensing speed and flow control
Up to 3.2 Gb/s maximum throughput
Store-and-forward technology
MTBF: 1.2M Hours

Certification & Compliance

Product Safety: UL 61010 and C22.2 No. 61010 OrdLoc, UL 121201 and CSA C22.2 No. 213 Class I, Division 2 HazLoc, ATEX, IECEx Ex ec IIC T4 Gc, IECEx UL 23.0092X and UL 23 ATEX 3128X
EMI/EMC: CFR 47, Part 15, Subpart B, Canada ICES-003, ANSI C63.4, EN 61000-6-2 and 4, IEC 61000-4-2, 3, 4, 5, 6 and 8
Shock & Vibration (panel mounted): IEC 68-2-27: 200 g @ 10 ms Triaxial, non-operational; IEC 68-2-6: 15 g @ 5-200 Hz Triaxial, operational
Railway/Rolling Stock: EN 50155, EN 50121 and EN 61373
Marine: ABS Type Approval for Shipboard Applications
Designed to Comply with: IEEE 1613 for Electric Utility Substations and NEMA TS1/TS2 for Traffic Control
Other: RoHS compliant

Warranty

3 years on design and manufacturing defects.

Specifications are subject to change.

Visit www.redlion.net for more information.

NT116 Specifications	
Weight	1.8 lbs. (0.82 kg)
Input Voltage Range	10-49 VDC
Steady Input Range	0.26 A @ 24 VDC
BTU/hr	21.22
Operating Temperature Range	-40 to 85 °C
Storage Temperature Range	-40 to 85 °C
Humidity (non-condensing)	10 to 95% RH
Operating Altitude	0 to 10,000 ft.

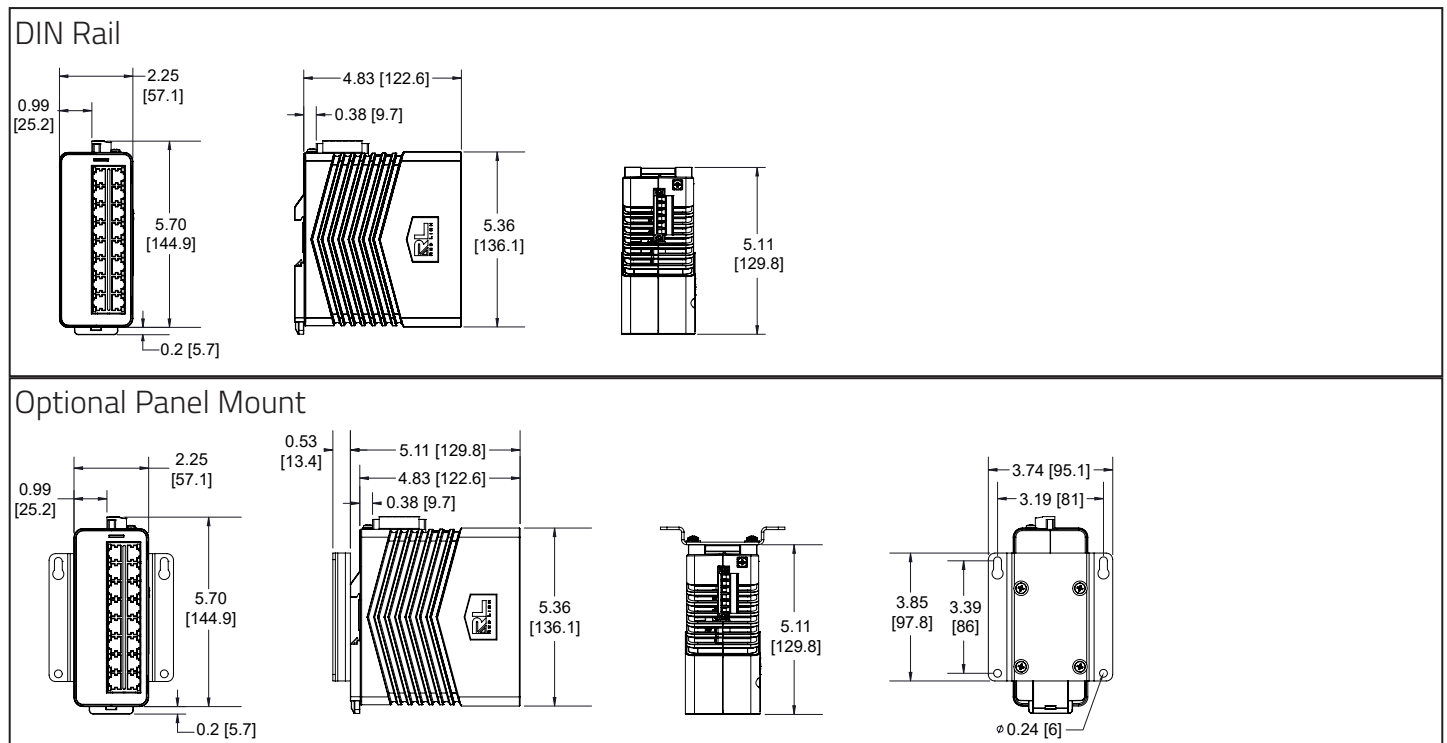
Network Media Specifications	
10BaseT	≥Cat3 Cable
100BaseTX	≥Cat5 Cable

Connectors	
10/100BaseTX	Sixteen (16) RJ45 copper ports

Recommended Minimum Wiring Clearance	
Front	2" (50.8 mm)
Top	2" (50.8 mm)

NT116 Dimensions

Dimensions In inches [mm]





www.ringuk.com

© 2024 Red Lion Controls, Inc. All Rights Reserved. The terms Red Lion, the Red Lion logo and N-Tron are registered trademarks of Red Lion Controls. All other marks are the property of their respective owners.

LD1125A 05 2024