

1023302330

ELSII-10WM

Network On-Wall Cabinet Speaker, 10W, Ethernet, Mic



- ✓ Zenitel Audio Presence - crystal clear audio
- ✓ Weatherproof housing - IP66
- ✓ 10W Class D, built-in amplifier
- ✓ 95 dB SPL (1m)
- ✓ Ideal for Micro Zone PA and systems that require a limited number of speakers
- ✓ Each speaker is individually addressable and monitored
- ✓ ONVIF Compatible
- ✓ Ideal for speakers installed in remote locations, e.g. roads and railways
- ✓ Remote software upgrade and configuration
- ✓ Powered from the IP network cable using Power over Ethernet (PoE)
- ✓ Ideal for Building Security, Infrastructure and Industrial projects



SIP



IC-Edge



ICX-AlphaCom



Exigo



IP66

Audio



Automatic Volume



HD Voice

Network

Description

The ELSII-10WM IP speaker features a 10W Class D amplifier powered over PoE and delivering 95dB SPL. This two-way cabinet is designed for more versatile audio replication, and intended for environments where aesthetic considerations are important.

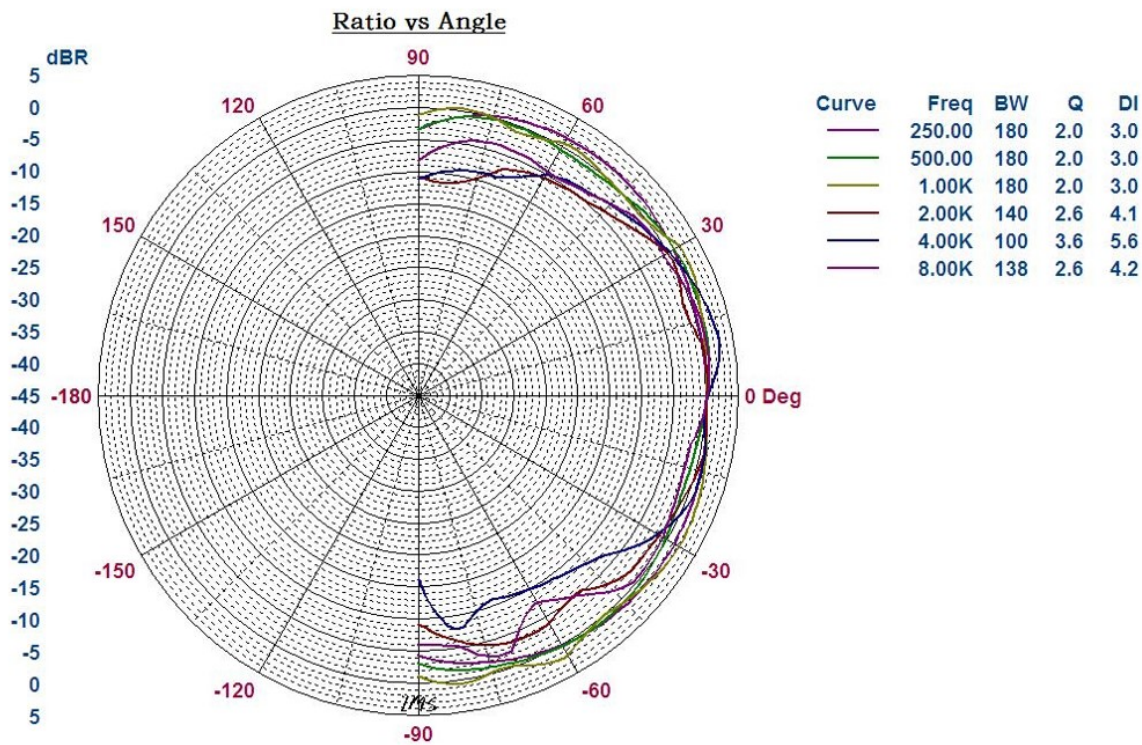
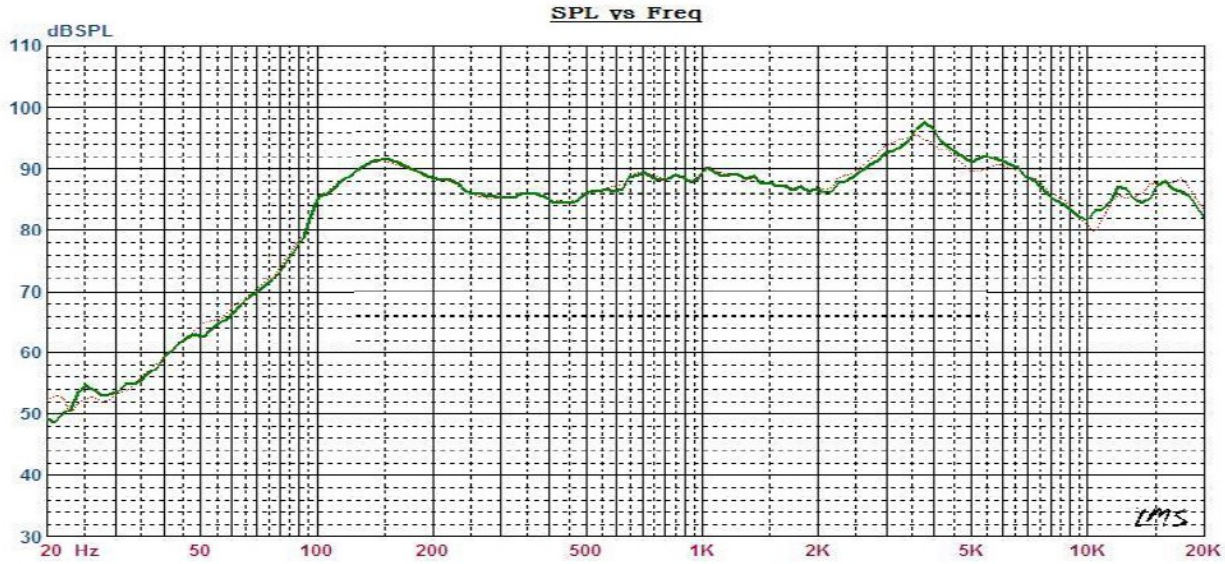
With networked audio, the system is able to monitor and address each speaker individually. By moving the amplifier from a central unit out to the speaker itself, the need for a central amplifier unit with conventional speaker loops is eliminated. This makes the system highly scalable, and adding another speaker is easy to do.

Whilst conventional speaker loops are not used, the speakers can still be divided into groups. These zones can now extend over networks or span the Internet. To provide maximum availability, the speaker comes with advanced supervision functions.

The built-in microphone enables intelligent features such as Self-checking, and Automatic Volume Control. It also enhances what is traditionally a broadcast-only medium adding Half Duplex speech, and Ambient Listen functions. Self-checking will detect whether there are any faults in the network or speaker electronics. The status of the speaker is reported to the central unit as well as to 3rd-party management systems using SNMP or Syslog. The speakers can also be discovered, receive messages, and use Talkback direct to a VMS over ONVIF.

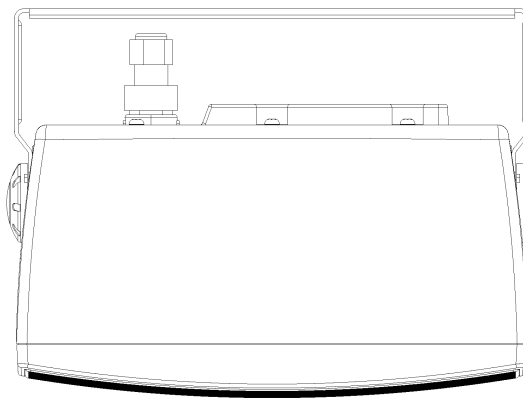
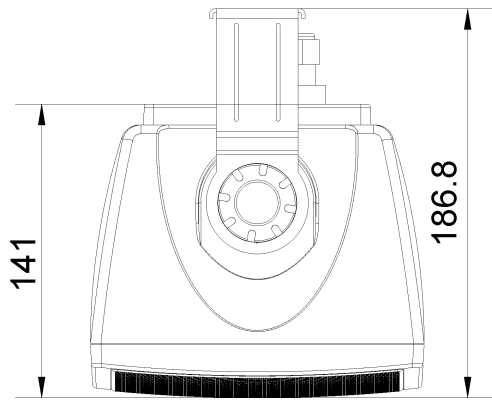
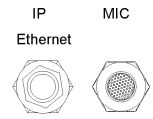
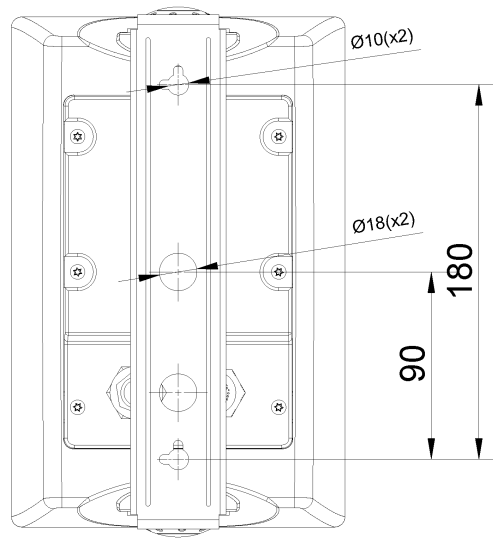
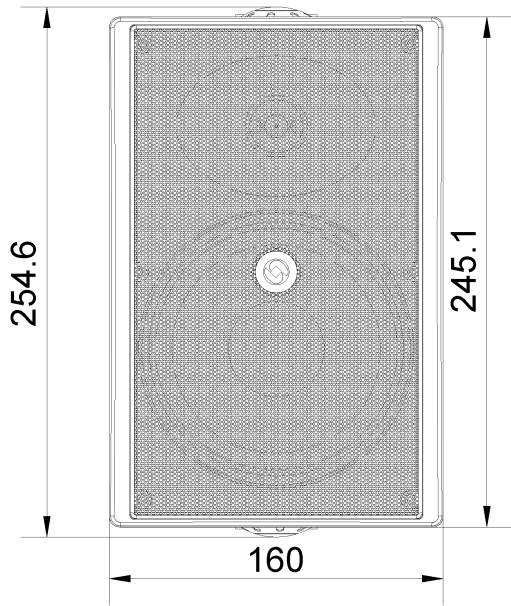
The speaker has a built-in web interface for status information, control, and upgrade. It is easy to install and maintain. In addition, there are possibilities where broadcasts can be logged in detailed reports.

Polar Plot:



- Map**
- 21: PolarConv F= 250.0000
 - 22: PolarConv F= 500.0000
 - 23: PolarConv F= 1.0000K
 - 24: PolarConv F= 2.0000K
 - 25: PolarConv F= 4.0000K
 - 26: PolarConv F= 8.0000K

Technical Dimensions



Specifications

GENERAL

Max. Sound Pressure Level at 1m	95 dB
Codecs	G.711, G.722
Frequency range, G.722 Codec	200 Hz – 7000 Hz
Frequency range (speaker driver)	90 Hz - 20KHz (± 20%)
Internal speaker amplifier	10 W class D
Mounting	Aluminium, U Shaped Bracket, Painted RAL9010
Unit Weight	2,1 kg
Dimensions (Width x Height x Depth)	160 x 255 x 189 mm
Material / Color (Enclosure)	ABS 765A, White RAL 9010
Material / Color (Grille)	Coated aluminum, White RAL 9010
IP rating	IP66+67
Boxed Weight	2.31 kg
Boxed Dimensions (WxHxD)	TBC
Connection Cable Size	Ø6-7 mm

Accessories



EMCG-1

Microphone for Network
Loudspeakers