


AK5850BHS

AK5850BHS Ex TwinCom Headband Headset w/ear plug connector

Ex-approved Headset with headband



 ICX-AlphaCom

 Exigo

 IP54

- Rugged headset for Ex and Industrial environments
- Noise-cancelling microphone
- High quality digital background noise reduction
- HD-voice compatible
- High quality audio
- Optional in-ear monitors may be connected for added damping in extreme environments
- Standard 4-pole Nexus connector for easy connection/replacement
- For use with Ex-approved and industrial plugbox with PTT
- Low smoke and halogen free cable
- Designed for Turbine Ex explosion-proof and industrial intercoms

DESCRIPTION

The AK5850BHS is a high quality industrial Ex-approved headset for use in rugged conditions. It offers an adjustable boom microphone and a short curly cable for flexible connectivity through a 4-pole Nexus plug. This headset is designed for use with the Vingtor Stentofon Turbine Ex and Industrial Intercoms and are HD Voice compatible when used with these stations.

Used with the TAX-2B/TA-22B Cable and Plugbox with PTT, it offers an exceptional range of over 10 meters. The pluggable nature of the headset allows for easy maintenance/replacement as well as allowing operators to use their personal headset as a hearing protection aid, and disconnecting once the conversation is over.

SPECIFICATIONS

MECHANICAL

Weight	400 g
--------	-------

ENVIRONMENTAL

Operational Temperature	-40°C to +60°C
-------------------------	----------------

Ingress Protection (IP)	IP-54
-------------------------	-------

ELECTRICAL

Impedance	230 ohm
-----------	---------

Sensitivity (mic)	4 mV / 220 ohm
-------------------	----------------

ACOUSTICAL

Frequency Response	90-7000 Hz
--------------------	------------

Noise Reduction	-12dB @ 1kHz
-----------------	--------------

AK5850BHS Over-the-head headband TwinCom with custom molded earplug

SOUND ATTENUATION

Above 1kHz:	36 to 49 dB
-------------	-------------

500-1000 Hz	38.6 to 39.3 dB
-------------	-----------------

125-500 Hz	30.0 to 38.6 dB
------------	-----------------

H84	34 dB
-----	-------

M84	34 dB
-----	-------

L84	29 dB
-----	-------

SNR84	36 dB
-------	-------

CERTIFICATIONS

CENELEC safety standards	EN 60079-0: 2018 & EN 60079-11: 2012
--------------------------	--------------------------------------

IEC safety standards	IEC 60079-0: 2018, IEC 60079-11: 2012
----------------------	---------------------------------------

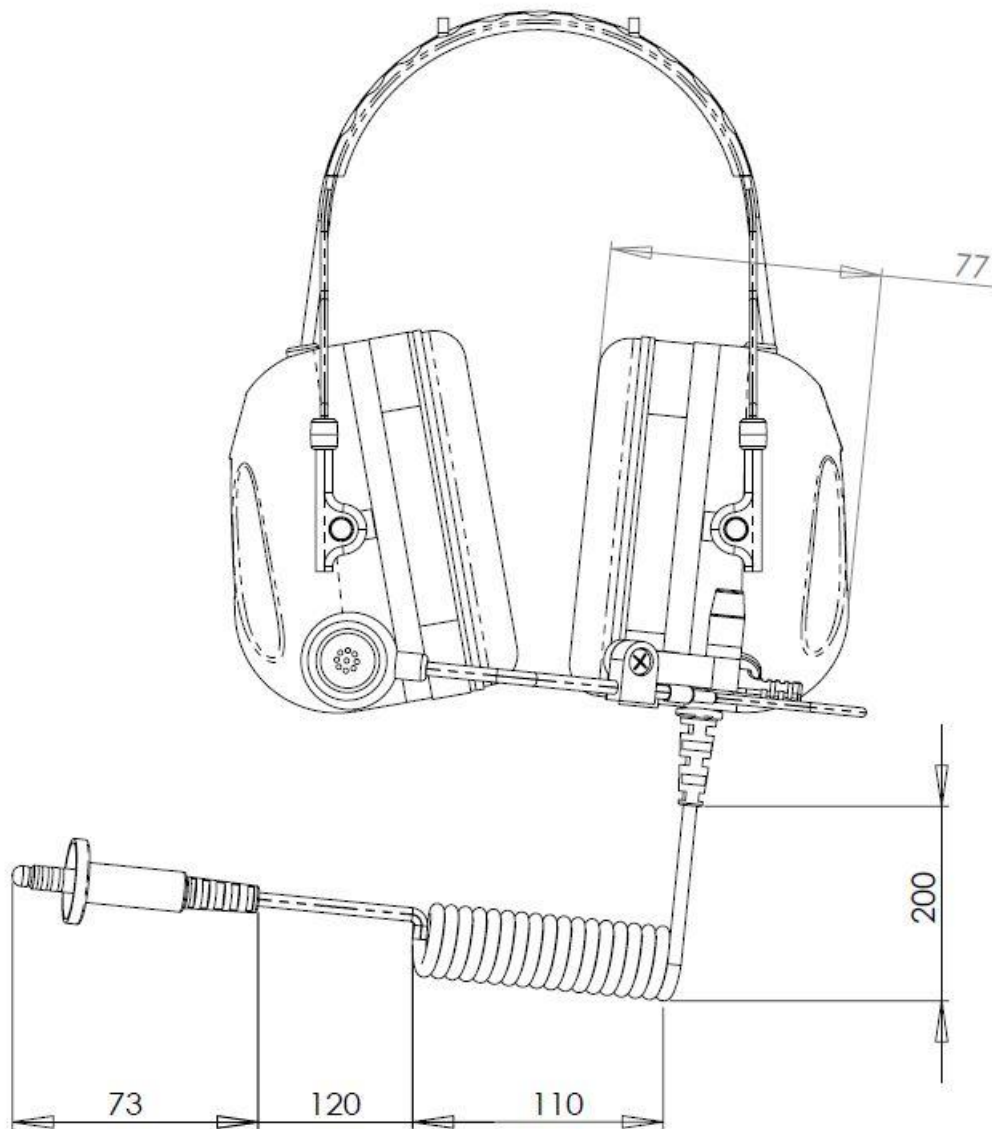
Marking	Ex ib IIC T4 Gb, Ta : -40°C to +60°C
---------	--------------------------------------

ATEX certificate	Nemko 03ATEX1351 Issue 9
------------------	--------------------------

IECEX certificate	IECEX PRE 15.0063 Issue 2
-------------------	---------------------------

PPE	(EU) 2016/425 (EN 352-1:2020, EN 352-2:2020, EN 352-3:2020, EN 352-6:2020 and EN 352-9:2020)
-----	--

TECHNICAL DIMENSIONS



ACCESSORIES



TAX-2B

Item number: 1008150025



TA-22B

Item number: 1008140225



SPARE BOOM MICROPHONE FOR HEADSET

Item number: AK6070

USED WITH

1023221516

Created: 05.10.2022, updated: 17.10.2022

page 3/7

www.ringuk.com

sales@ringuk.com

Zenitel and its subsidiaries assume no responsibility for any errors that may appear in this publication, or for damages arising from the information therein. Zenitel products are developed and marketed by Zenitel. The company's Quality Assurance System is certified to meet the requirements in NS-EN ISO 9001. Zenitel reserves the right to modify designs and alter specifications without notice.

ZENITEL PROPRIETARY. This document and its supplementing elements, contain Zenitel or third party information which is proprietary and confidential. Any disclosure, copying, distribution or use is prohibited, if not otherwise explicitly agreed in writing with Zenitel. Any authorized reproduction, in part or in whole, must include this legend; Zenitel - All rights reserved.

EAPFX-6

Exigo Industrial Ex Access Panel, 6 Buttons



1023221511

EAPFX-1

Exigo Industrial Ex Access Panel



1008123010

TFIX-1

Ex IP Intercom Station



1008123020

TFIX-2

Ex IP Intercom Station



1008123030

TFIX-3

Ex IP Intercom Station

DISCONTINUED



1008123040

TFIX-4

Ex IP Telephone

DISCONTINUED



1008122010

TFIE-1

IP and SIP Intercom



1008122020

TFIE-2

IP and SIP Intercom



1023201201

EAPII-1

Exigo Industrial Access Panel, 1 Button



1023201206

EAPII-6

Exigo Industrial Access Panel, 6 Buttons



1008122060

TFIE-6

IP and SIP Intercom

